

HIGH FREQUENCY VCXO OSCILLATORS

SPECIFICATIONS	HV61-*	HV62-*	HV63-*	HV64-*
Frequency Range	30MHz to 100MHz			
Frequency vs Temperature	±25ppm	±50ppm	±100ppm	±20ppm
Temperature Range	-40°C to +85°C			
Output	Waveform	HCMOS Squarewave		
	Voltage	Voh	4.5V Minimum	
		Vol	0.5V Maximum	
	Current	Ioh	-8mA (30 to 52MHz) , -16mA (52.1 to 100MHz)	
		Iol	8mA (30 to 52MHz) , 16mA (52.1 to 100MHz)	
	Duty Cycle	40/60 Maximum		
	Rise/Fall Time	3nS Maximum, 15pF Load		
	Jitter (RMS)	5pS Maximum over 10Hz to 20MHz bandwidth 1pS Maximum over 12KHz to 20MHz bandwidth		
SSB Phase Noise (Typical)	-60dBc/Hz @ 10Hz , -140dBc/Hz @ 10KHz			
Frequency Control	* Deviation Code (add to model number)			
	100	(±50ppm Minimum)		
	150	(±75ppm Minimum)		
	160	(±80ppm Minimum)		
	200	(±100ppm Minimum) Not available above 70MHz		
	300	(±150ppm Minimum) Not available above 50MHz		
	Positive Transfer Characteristic			
Control Voltage	0.5Vdc to 4.5Vdc			
Center Frequency	2.5Vdc ±0.5Vdc			
Monotonic Linearity	< ±10%			
Input Impedance	≥ 50K ohms			
Modulation Bandwidth	≥ 15KHz			
Supply Voltage	+5Vdc ±5%			
Supply Current	35mA Max <50MHz , 60mA Max <100MHz			
Package	All metal, hermetically sealed, welded package			
Option (add suffix)	S	Duty Cycle 45/55 Maximum		

WARNING! Do not insert oscillator into a hot circuit. Failure to comply will result in damage to oscillator.

HIGH FREQUENCY VCXO OSCILLATORS

EXAMPLE MODEL NUMBER

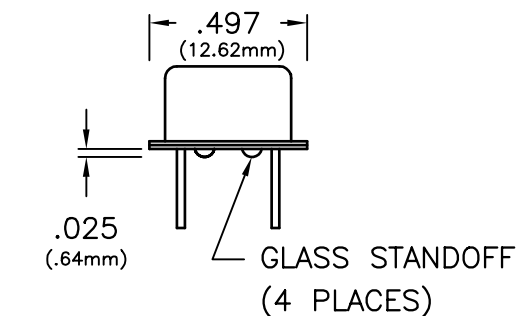
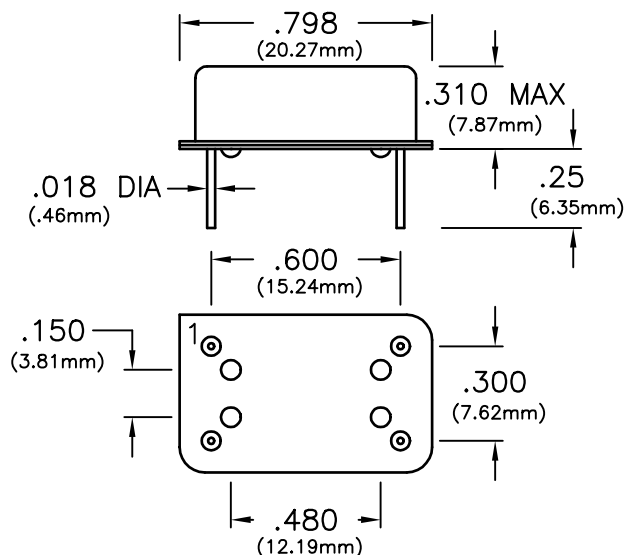
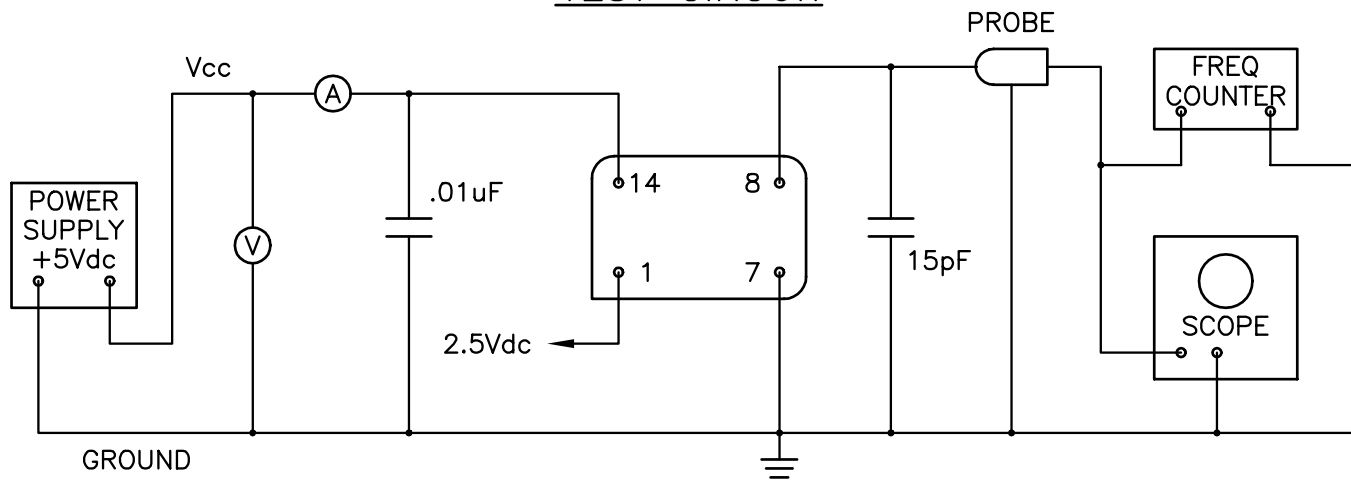
H V 6 3 - 1 0 0 / 4 4 . 7 3 6 M H z

VCXO SERIES

MINIMUM DEVIATION OF
±50ppm FROM 0.5
TO 4.5Vdc CONTROL
VOLTAGE.

CENTER FREQUENCY

TEST CIRCUIT



PIN	CONNECTION
1	CONTROL VOLTAGE
7	GROUND (CASE)
8	OUTPUT
14	(+) SUPPLY